

VITRUM®

SLIMLINE® VITTB

01 | Argon Gas

The gap in the DGU is filled with argon gas to reduce thermal conductance.

02 | Roller Bearings

Roller bearings are of 316 grade stainless steel and run on twin rail system. This ensures that the weight of the shutter is balanced between the bearings and leads to highly smooth operation.

03 | Cover Profile

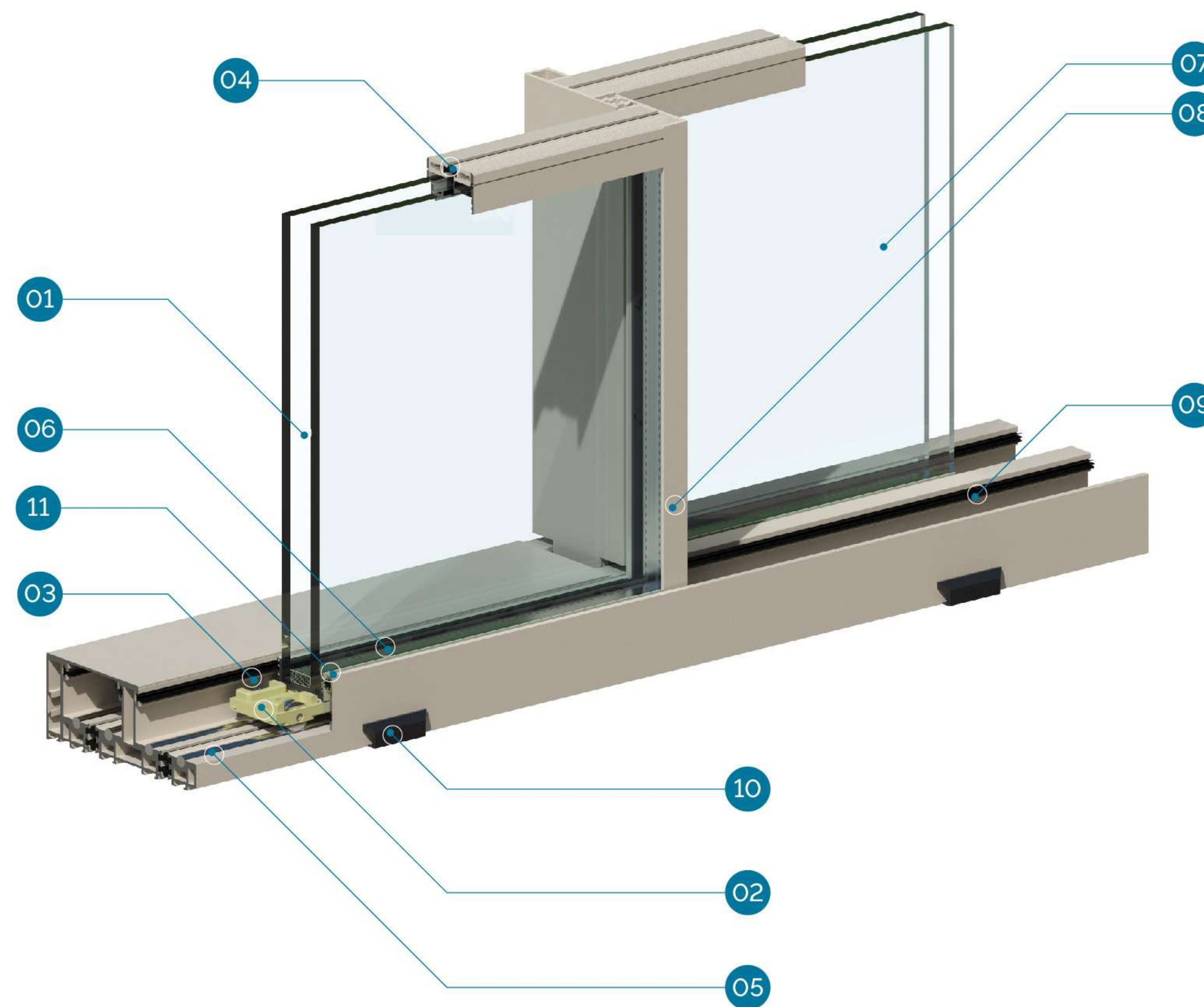
The metal covering for encasing the fixed shutter track merges with the window unit to elevate the aesthetic value of the whole unit. The cover profile acts as a protective shield, providing resistance against air, dust and water seepage

04 | Thermal Break

Thermal break strip integrated with the aluminium profile prevents direct exchange of heat between the outside environment and the room. This helps maintain the room temperature efficiently, minimizing energy losses of the room conditioning equipment. Uw Value - $\geq 1, 1 \text{ W}/(\text{m}^2\text{K})$ (depends on dimensions and glass type)

05 | Rail

The twin rail system has the rails made of 316 grade stainless steel. This facilitates easy sliding operation with least resistance for the heaviest of windows.



06 | Perforations

Perforations ensure that moisture is not accumulated in the glass-unit. This makes the glass unit anti-fog.

07 | Glass

DGU, DGU laminated, Sentry laminated, Reflective, Low-E & Burglar resistant are some of the commonly used glass types that provide flexibility. The standard Slimline system has an 8mm outer glass, an 18mm spacer and an 8mm inner glass, which results in a 34mm double glazed unit.

08 | Sight Line

The intelock / mullion between any two shutters is only 21mm thick.

09 | Three Fin Wool Pile

High quality brush is used to prevent air, water and dust penetration into the track.

10 | Drainage Slots

We have an integrated water management system, conducive even for torrential rain regions. The drainage slots are provided in each track of the profile to drain out water.

11 | Invisible Shutter-Frame

Top & bottom shutter-frame hides into the outer frame for a seamless glass view at the top and bottom, with the outer frame being concealed.

SLIMLINE[®] VIT TB

SLIMLINE® VIT TB

Vitrum minimizes interference, maximizes views and natural light with a minimalistic sliding window system, the Slimline® Series. Our latest VIT TB comes with thermally separate aluminium frame that ensures exceptional level of thermal insulation. The sliding panes can also achieve greater sizes to produce even more impressive elevations of sliding glass. The system's appeal can be enhanced by the ability to hide the outer frames within the wall and floor finishes, leaving only the slim horizontal sightlines visible.

The indigenous design with imported materials results in a high level of performance, look and feel. It is the perfect blend of aesthetics and functionality. The system can exhibit its optimum functionality when displayed using large sliding panels, opening corners and flush thresholds.

Sight Line

The system is frameless to the head, base and sides, leaving you with a clear glass opening merging the barriers between the inside and the outside space. These aluminium windows sit harmoniously side by side with an extremely slender vertical frame of only 21mm between glass panels. All the surrounding frameworks of the slimline windows can be discreetly integrated with the building surroundings.

Attributes

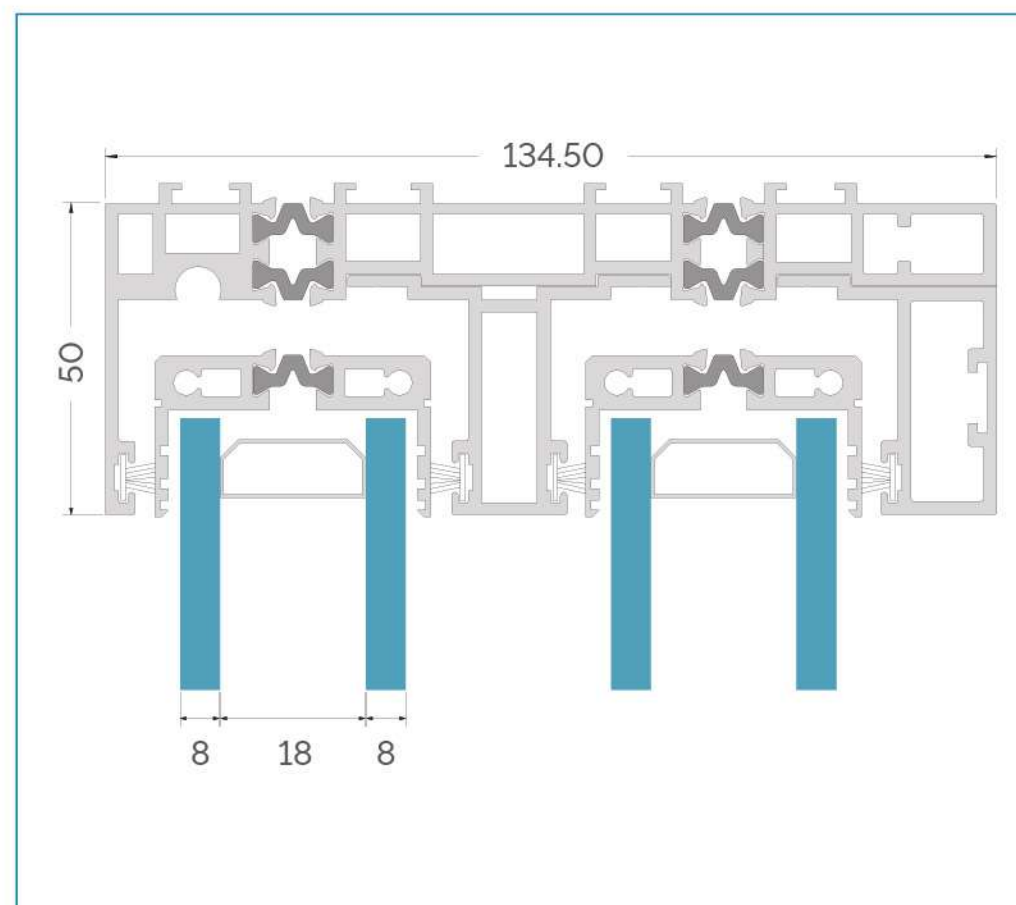
Details

Sight Line or Face Width	21mm onwards
Section Joint	Corner cleats with nails & Epoxy
Sash Degree	90 degrees machine precision
Glass Thickness	34mm to 44mm
Sliding Rail	Twin Rails with Stainless Steel- 316
Roller Bearings	Stainless Steel - 316
Surface Finish	Powder Coating / PVDF / Anodized
Maximum Shutter Size	up to 8 sq m
Maximum Shutter Height	4.5m
Thermal Break	Polyamide

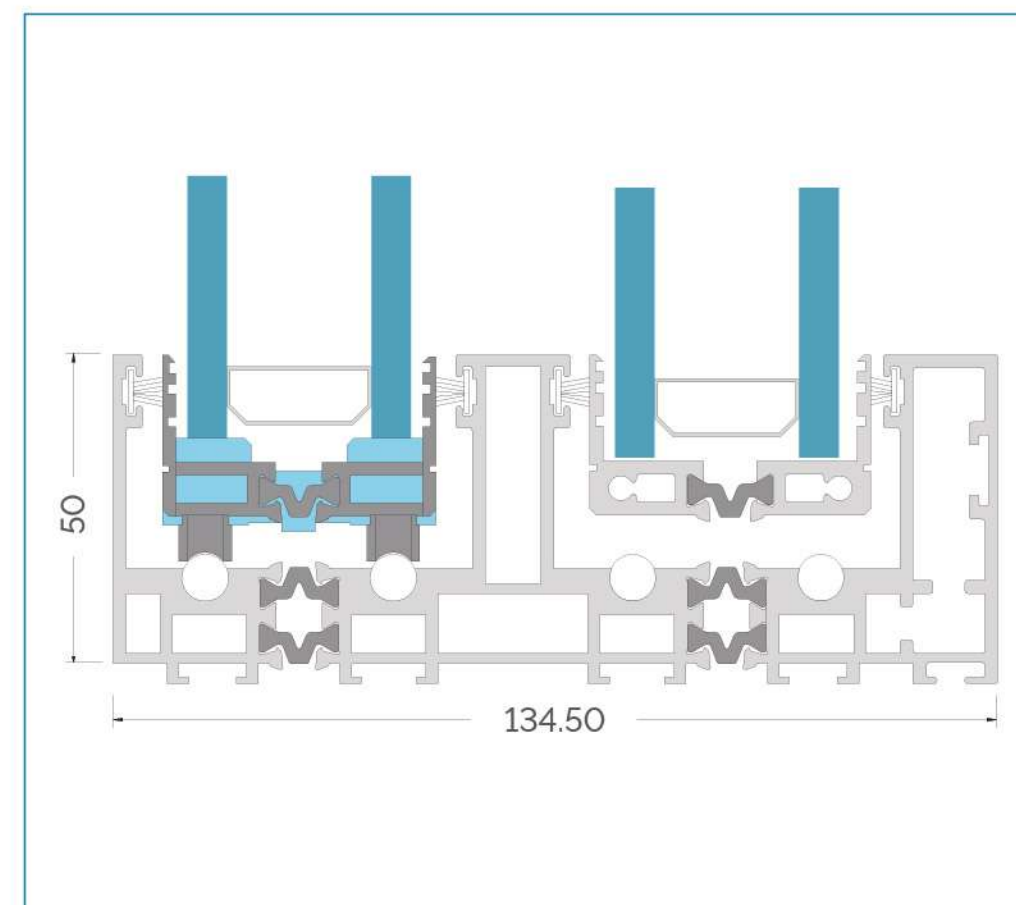
SLIMLINE[®] VIT TB

Performance Data

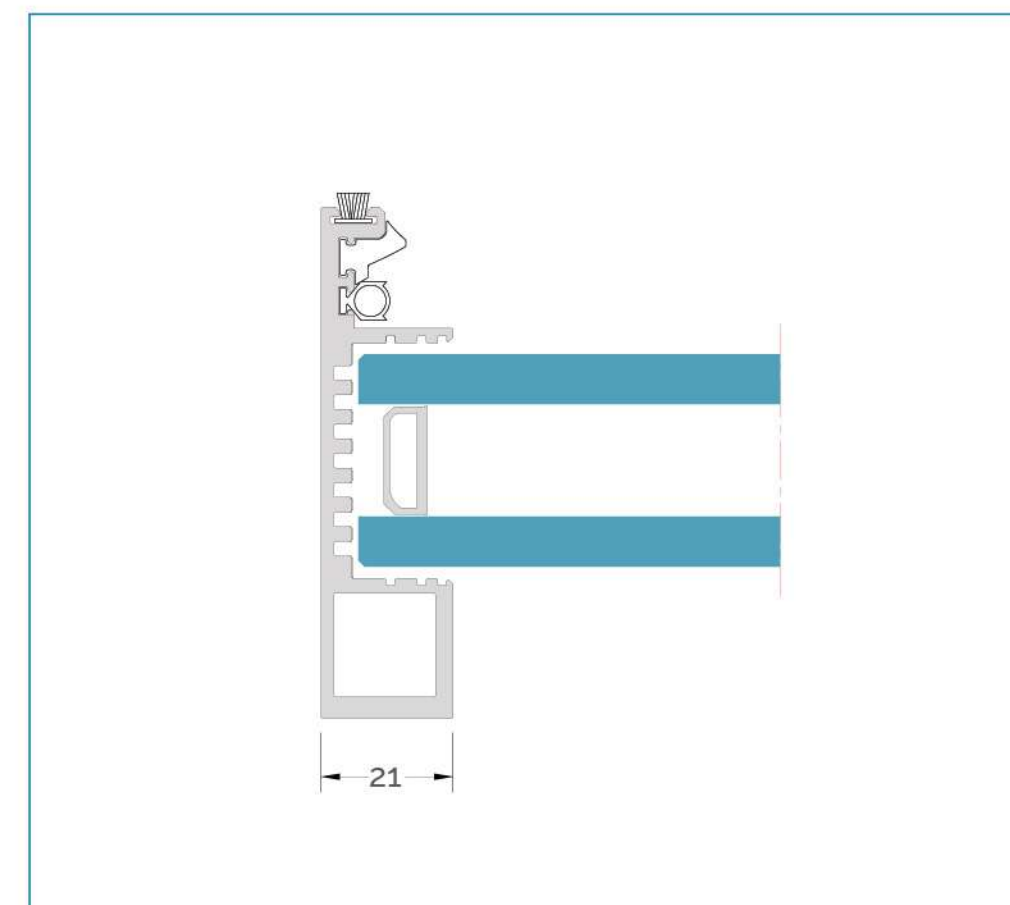
Wind Resistance	-	up to 2.8 KPa
Air Infiltration	-	300 Pa
Water Penetration	-	390 Pa
Sound Reduction	-	up to 38 dB



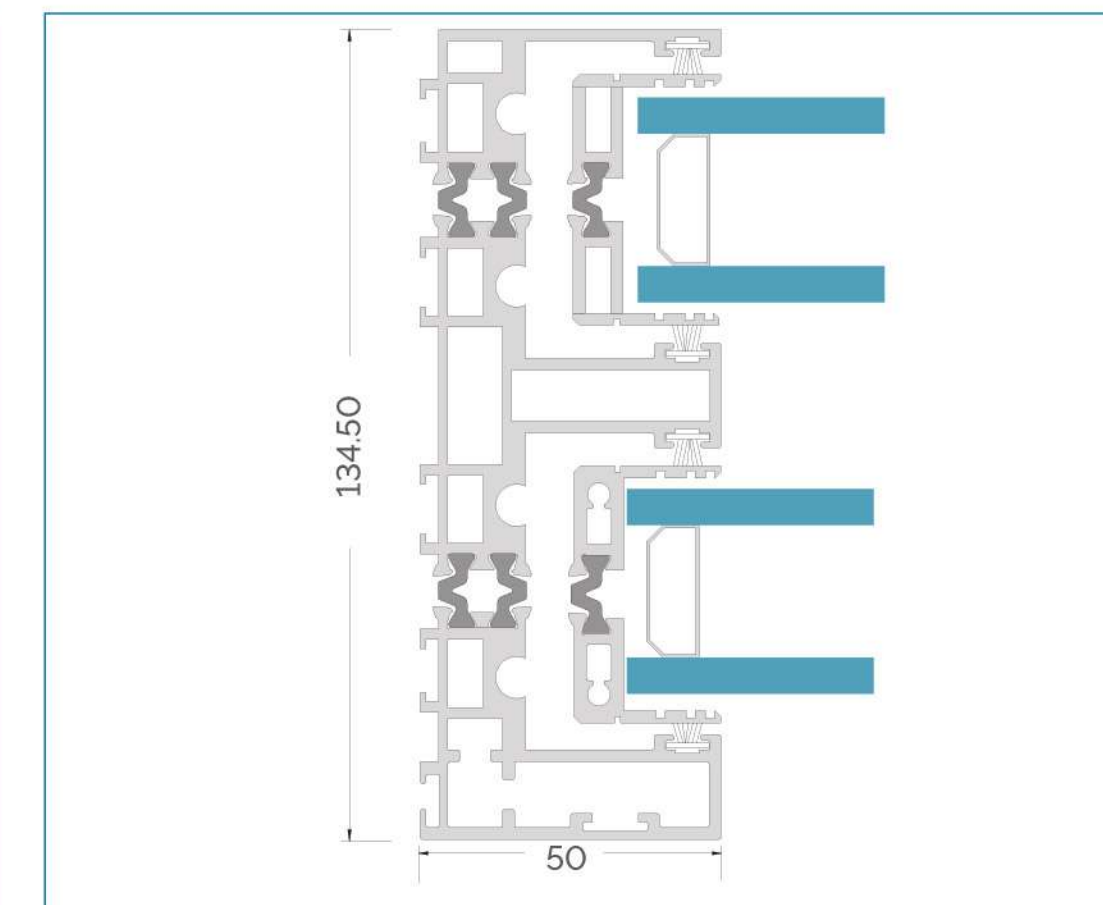
Top Section



Bottom Section

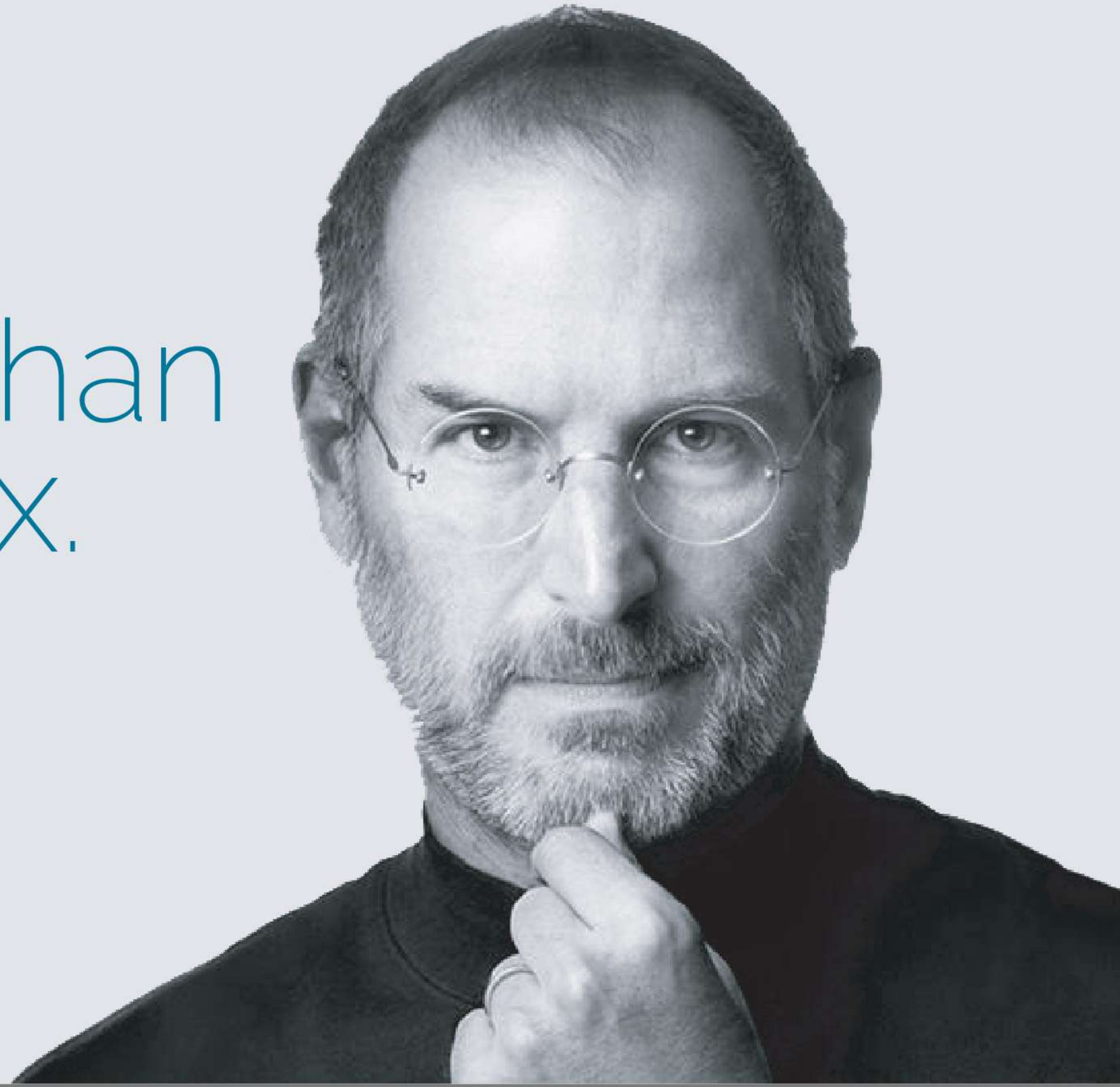


Interlock With handle



L & R Section

Simple
can be
harder than
complex.



Steve Jobs 1955 – 2011

Steven Paul Jobs was the chairman, chief executive officer (CEO), and co-founder of Apple Inc. Jobs is widely recognized as a pioneer of the microcomputer revolution of the 1970s and 1980s.



Vitrum Systems LLP

Dwarkadhish Complex, Nr. Virani Chowk,
Tagore Road, Rajkot - 360 002, INDIA.
+91 90995 47000 | +91 281 248 1800
info@vitrum.in